



Premium Powered Desktop Speakers

Quickstart Guide

Welcome to the Audioengine family and congratulations on your purchase of the Audioengine® HD3 Premium Powered Desktop Speaker System!

The Audioengine team is dedicated to bringing you the highest-quality listening experience possible and the HD3 was designed with the same attention to detail and operational simplicity as our other products.

We wish to thank our customers, distributors, and resellers for all the great feedback and inspiration to finish this product.

What's in the box

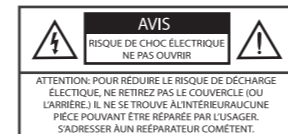
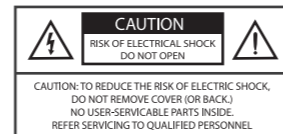
- HD3 powered (left) speaker
- HD3 passive (right) speaker
- Magnetic speaker grills
- Speaker wire (16AWG), 2 meters (~6.5 feet)
- Power supply
- Detachable power cord
- Mini-jack audio cable, 1.5 meters (~5 feet)
- USB cable, 1.5 meters (~5 feet)
- Microfiber speaker bags
- Microfiber power supply bag
- Microfiber cable bag
- Quickstart guide

Features

- Built-in analog power amplifiers
- Wireless Bluetooth® with aptX®, extended range, and 24-bit upsampling DAC
- USB computer audio input
- High-performance headphone amplifier
- Dual analog inputs and variable audio output
- Hand-built cabinets and high-quality connectors
- Custom Kevlar woofers and silk tweeters
- Detachable magnetic grills

Safety Instructions

1. Please read these instructions before using this product.
2. Keep these instructions for future reference.
3. Heed all warnings on the product and in this guide.
4. Follow all instructions.
5. Do not use this apparatus near water or moisture.
6. Clean only with a dry cloth and as directed by the manufacturer.
7. Do not block any ventilation openings. Install in accordance with the manufacturer's instructions.
8. Do not install near any heat sources, such as radiators, heat registers, stoves or other apparatus that produce heat.
9. Do not defeat the safety purpose of the polarized or grounding-type plug. A polarized plug has two blades with one wider than the other. A grounding-type plug has two blades and a third grounding prong. The wider blade or third prong are provided for your safety.
10. Protect the power cord from being walked on or pinched, particularly at plugs, convenience receptacles, and the point where they exit from the apparatus.
11. Use only attachments or accessories specified by the manufacturer.
12. Use only with the cart, stand, tripod, bracket or table specified by the manufacturer or sold with the apparatus. When a cart is used, use caution when moving the cart/apparatus combination to avoid injury from tip-over.
13. Unplug this apparatus during lightning storms or when unused for long periods of time to prevent damage to this product.
14. Refer all servicing to qualified service personnel. Servicing is required when the apparatus has been damaged in any way such as power supply cord or plug is damaged, liquid has been spilled or objects have fallen into the apparatus, the apparatus has been exposed to rain or moisture, does not operate normally, or has been dropped.



Quick Setup

- 1 Connect the speaker wire from the HD3 left (powered) speaker to the right (passive) speaker, observing proper polarity to each connector.
- 2 Connect the wireless antenna to the HD3 rear panel.
- 3 Verify that the volume/power knob on the front panel of the left speaker is in the OFF position by rotating the knob counterclockwise until it clicks off.
- 4 Connect the cable from the external power supply unit to the left speaker rear panel.
- 5 Connect the power cord to the other end of the power supply and plug the cord into a functioning power outlet. A light on the power supply should now be illuminated.

Wireless connection

- 1 Turn power on via the front panel volume/power knob. HD3 will automatically go into Bluetooth "pair mode" and the Power/Pair button on the HD3 front panel should start flashing.
- 2 On your device (phone, tablet, laptop, etc) turn on Bluetooth and go to Bluetooth preferences.
- 3 Select "Audioengine HD3" to pair and connect. The Pair indicator light on the HD3 front panel should be solid.
- 4 Play your music and adjust volume levels for HD3 and your device.

To add additional devices put HD3 back into pair mode by disconnecting HD3 from your device or by pressing and holding the Pair button on the HD3 front panel until the pair indicator starts flashing.

HD3 can wirelessly connect to only one device at a time, however it will remember up to six different devices.

Wired connection

- 1 Connect an audio cable (mini-jack or RCA) between your device and one of the inputs on the HD3 rear panel.
- 2 Play music and adjust the volume on the speakers and your device to your desired listening levels.

USB audio connection

- 1 Connect the included USB cable between an open port on your computer and USB input on the rear panel of the left powered speaker.
- 2 If using Windows, the HD3 should be recognized automatically. For Mac, under System Preferences/Sound/Output, select "Audioengine HD3"

As HD3 includes built-in power amplifiers do not connect the HD3 speaker terminals directly to the speaker outputs of a stereo receiver or amplifier.

Inputs and volume settings

Multiple sources and devices may be connected to the speakers at the same time and all inputs are open and active so it's easy to switch between your tablet, phone, TV, or any other device.

To adjust the volume, we recommend you first set a level on HD3 and then use the volume control directly on your device to adjust the overall level. Volume settings are flexible and there is no right or wrong so feel free to experiment to find volume levels that work for you.

For setup diagrams and troubleshooting tips, go to: <http://support.audioengineusa.com/solution/folders/14000106349>

Other Features

Variable audio output

The HD3 includes a variable full-range preamp audio output so you can connect a subwoofer, other Audioengine powered speakers, or wirelessly stream music to other systems around your house using an Audioengine wireless adapter. This output is variable (adjustable) so the volume level of the output can be controlled from the HD3 front panel.

Mounting options

Threaded 1/4"x 20 brass inserts are included on the bottom of each speaker cabinet to provide the ability to attach the speakers to floor stands or to brackets for wall mounting.

More product information

For HD3 specifications, additional setup instructions and other product information go to: <http://support.audioengineusa.com/solution/folders/14000106349>

Contact support

If you have any questions please contact our customer support team: <http://support.audioengineusa.com/support/home>

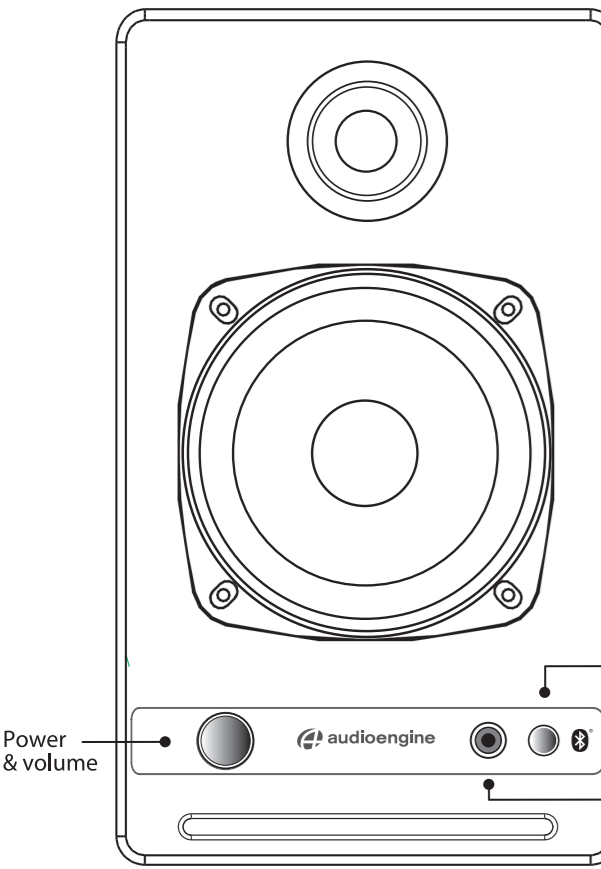
Break-in period

Your HD3 speakers will sound great right out of the box and will sound even better over time. However, it's best to give them 40 to 50 hours break-in time before doing any critical listening.

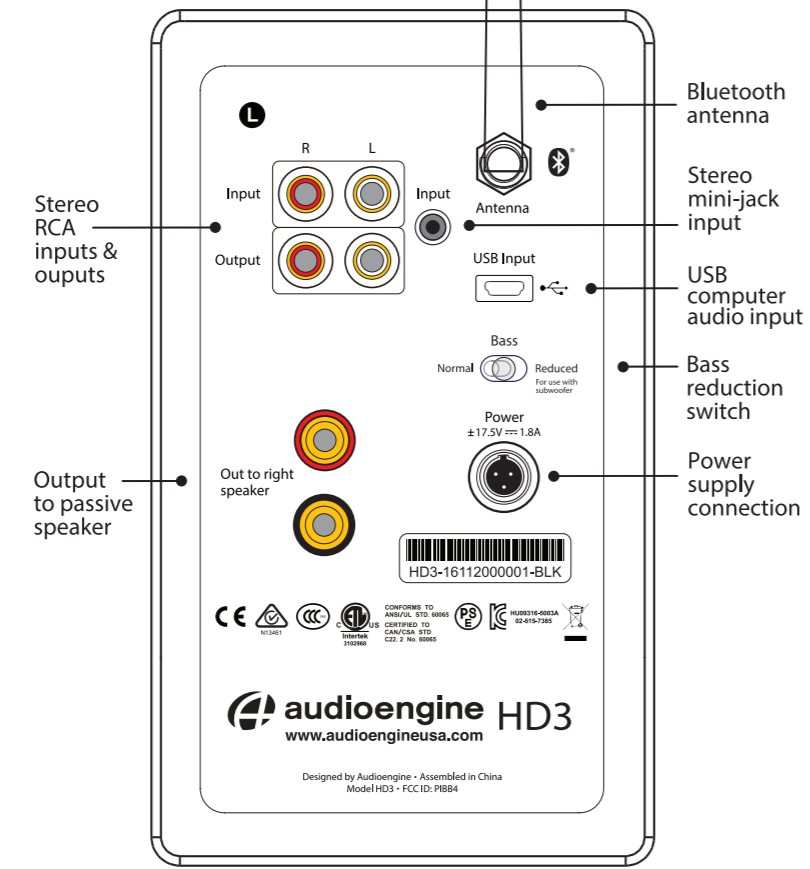
Cleaning

We don't recommend using any solvents or cleaners on Audioengine cabinets or speakers. Just wipe down with a soft, dry cloth.

HD3 powered (left) speaker



HD3 powered (left) speaker - rear panel



Warranty Information

All Audioengine products have a 3-year Limited Warranty on parts and labor from date of purchase. The Limited Warranty applies only to Audioengine products purchased in the United States. Your warranty is automatic, so there is no need to register. For Limited Warranty coverage elsewhere, please contact the Audioengine dealer, reseller, or distributor in your country or region.

What is covered

All defective parts or faulty workmanship.

What is not covered

The Audioengine Limited Warranty does not cover damage caused by accident, misuse, abuse, neglect, excessive moisture, lightning, power surges, other acts of nature, unauthorized product modification or repairs, or failure to follow the instructions outlined in this guide.

What we will do

We will repair or replace any defective parts, at our option, within a reasonable amount of time and free of charge any time during the warranty period. After service, we will be responsible for shipping the product back to you at our expense.

What we ask from you

You will be responsible for shipping charges to Audioengine or to an authorized dealer. We recommend you keep the original shipping materials to prevent shipping damage if service is needed. Audioengine cannot be responsible for any damages incurred during shipping due to poor packing, so please pack well and make sure to insure your shipment.

How to obtain Audioengine warranty service

If you have any questions about your warranty coverage or feel you may need service, please search our online knowledge base or contact customer support:
<http://support.audioengineusa.com/support/home>

We will do everything we can to answer your questions and resolve any issues as quickly as possible.

Exclusive remedy

This Limited Warranty is fully transferable provided the current owner furnishes the proof of purchase and that the serial number on the product is intact. THE MAXIMUM LIABILITY OF AUDIOENGINE SHALL NOT EXCEED THE ACTUAL PURCHASE PRICE PAID BY YOU FOR THE PRODUCT. IN NO EVENT SHALL AUDIOENGINE BE LIABLE FOR SPECIAL, INCIDENTAL, CONSEQUENTIAL OR INDIRECT DAMAGES.

Product returns and refunds

We sincerely hope you get as much enjoyment from our products as we've had creating them. However, should you have an issue or are not satisfied with any Audioengine product for any reason contact the reseller where you purchased or contact us directly:
<http://support.audioengineusa.com/support/home>

About Audioengine

Audioengine designs and builds innovative audio products with all your music in mind. Great sound, simple but elegant designs, high quality materials and truly useful features are what Audioengine is about. We sincerely hope you get as much enjoyment from our products as we've had creating them!

FCC Part 15 Notice

This device complies with Part 15 of the FCC Rules. Operation is subject to the following two conditions:

- 1) This device may not cause harmful interference.
- 2) This device must accept any interference received, including interference that may cause undesired operation.

Changes or modifications not expressly approved by the party responsible for compliance could void the user's authority to operate the equipment.

This equipment has been tested and found to comply with the limits for a Class B digital device, pursuant to Part 15 of the FCC Rules. These limits are designed to provide reasonable protection against harmful interference in a residential installation.

This equipment generates, uses, and can radiate radio frequency energy and, if not installed and used in accordance with the instructions, may cause harmful interference to radio communications. However, there is no guarantee that interference will not occur in a particular installation. If this equipment does cause harmful interference to radio or television reception, which can be determined by turning the equipment off and on, the user is encouraged to try to correct the interference by one or more of the following measures:

- Reorient or relocate the receiving antenna.
- Increase the separation between the equipment and receiver.
- Connect the equipment into an outlet on a circuit different from that to which the receiver is connected.
- Consult the dealer or an experienced technician for help.

FCC Radiation Exposure Statement

This equipment complies with FCC radiation exposure limits set forth for an uncontrolled environment. This equipment should be installed and operated with minimum distance 20cm between the radiator & your body.

Information for Users on Disposal of Old Equipment

[European Union]



This symbol indicates that the electrical and electronic equipment should not be disposed as general household waste at its end-of-life. Instead, the product should be handed over to the applicable collection point for the recycling in accordance with your national legislation.

By disposing of this product correctly, you will help to conserve the environment and human health that could otherwise be caused by inappropriate waste handling of this product. For more information about collection point and recycling of this product, please contact your household waste disposal service or the shop where you purchased the product. Penalties may be applicable for incorrect disposal of this waste, in accordance with national legislation.

[Other Countries outside the European Union]

If you wish to dispose of this product, please do so in accordance with applicable national legislation or other rules in your country for the treatment of old electrical and electronic equipment.

© 2016 Audioengine, LLC. All Rights Reserved.

Audioengine and Audioengine HD3 are trademarks of Audioengine.

The Bluetooth name and the Bluetooth trademarks are owned by Bluetooth SIG, Inc. and are used by Audioengine under license.

The aptX® mark and logos are registered trademarks of CSR plc.

The Bluetooth® word mark and logos are registered trademarks owned by Bluetooth SIG, Inc.